

# CLEARLITE 2000

## STYLISH VENTILATION WINDOW



This aesthetically designed window ventilator is suitable for use in utility buildings, such as shopping centres, atria and public buildings. Thanks to its stylish framework, minimal depth and hidden controls, the Clearlite 2000 is ideal for use in aesthetically designed glazed constructions.

In its closed position the unit's operating system is totally concealed from view.

The Clearlite 2000 is suitable for both day to day ventilation and fire ventilation applications.

### VERSIONS



The Clearlite 2000 is a hinged window ventilator that can be installed to any angle from 10° to the vertical position. The opening angle of the window in relation to its hinged base is variable to an angle of 90°.

Thanks to its flexible mounting positions and opening angle the Clearlite 2000 is suited for day to day ventilation and smoke and heat ventilation. The Clearlite 2000 is constructed using thermally broken aluminium profiles to ensure reduced heat loss.

The Clearlite 2000 is usually supplied in a powder coated finish to any RAL colour as standard.

### OPTIONS



The Clearlite 2000 can also be provided in non-coated versions or it can be supplied with an anodised finish. The following frame options are available within the Clearlite 2000 range: Single laminated glass, insulated glass, double and triple walled polycarbonate; and single and double walled aluminium.

# CLEARLITE 2000

## STYLISH VENTILATION WINDOWS

### DESIGN

**Rectangular forms are available with the following limitations:**

- A frame height from 600mm to 2000mm
- A frame width from 600mm to 2500mm
- A maximum surface area of 3.5m<sup>2</sup>
- Glass thickness can vary 6-38mm
- Installed from 10° pitch to the vertical position
- Opening angle of maximum 90°

The weight of the Clearlite 2000 depends on the unit size and the thickness of the panel insulation. The maximum weight of the panel insulation is 45kg/m<sup>2</sup>.



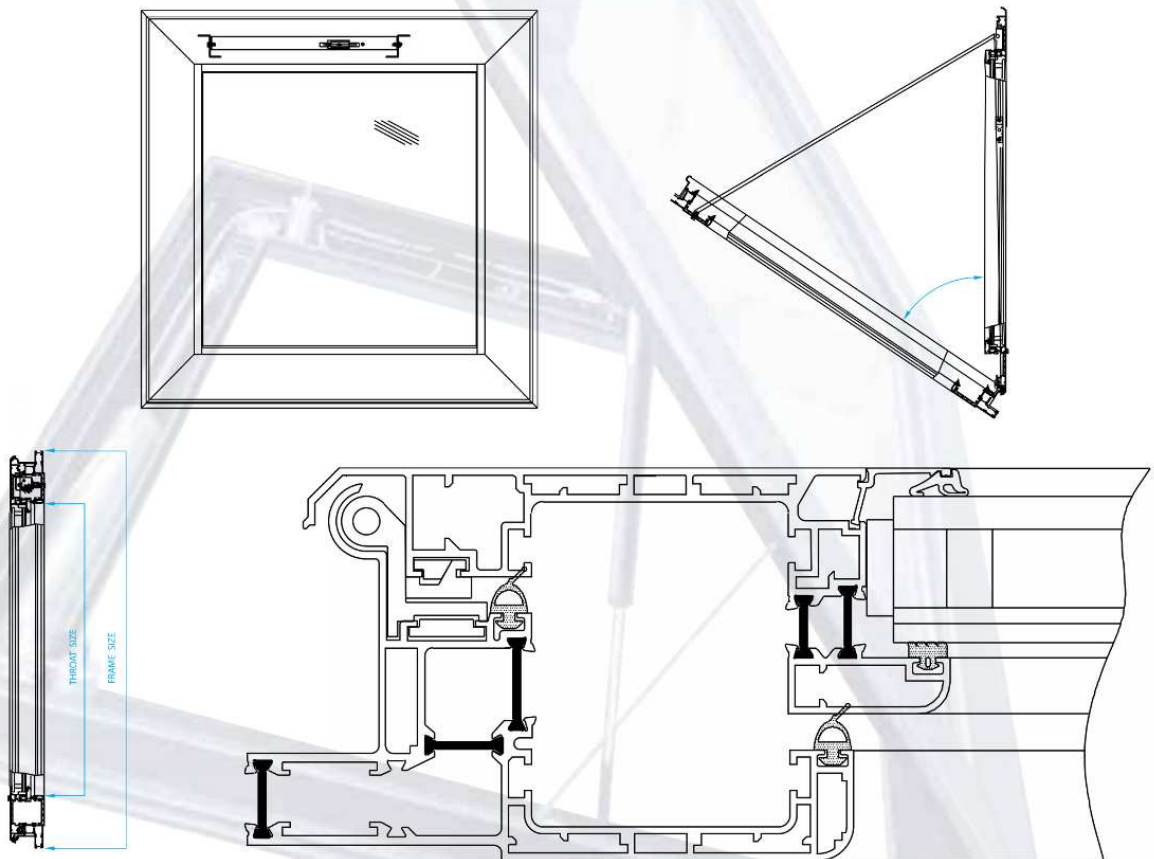
### OPERATION

In its closed position the unit operating mechanism is hidden inside the Clearlite 2000 frame profile. Cylinders, gas springs and electro-motors will not be in view when the window is in its closed position.

The Clearlite 2000 can be fitted for either compressed air operation, electric 24v operation or electric 230v operation. Both the pneumatic and electric operating systems can be configured in a Fail-Safe manner.

### DETAILS

The flange surround of the Clearlite 2000 has a minimum thickness of 24mm and a maximum thickness of 40mm.



Due to a policy of continuous improvement, alterations in the specifications may be made at any time without notice.

The company accepts no responsibility for any discrepancies which may occur between the specification of its equipment and the descriptions contained in its publications.

**McKENZIE MARTIN LIMITED**

ETON HILL WORKS, ETON HILL ROAD, RADCLIFFE, MANCHESTER, M26 2US

TEL: 0161 723 2234

FAX: 0161 725 9531

EMAIL: [general@mckenziemartin.co.uk](mailto:general@mckenziemartin.co.uk)

WEB: [www.mckenziemartin.co.uk](http://www.mckenziemartin.co.uk)