



FIXING INSTRUCTIONS FOR OPERATING/FIXED BLADE BOX LOUVRES SUITABLE FOR VERTICAL MOUNTING

McKenzie-Martin Ltd.

ETON HILL WORKS, ETON HILL ROAD, RADCLIFFE, MANCHESTER M26 2US. TEL: 0161-723 2234 FAX: 0161-725 9531

GENERAL

- a Care must be taken in storage, handling, lifting and fixing of the box louvre ventilators to avoid damage, especially to the integral top, bottom and side flanges and louvre blades.
- b All holes made in the box louvre flanges must be drilled and not punched.

NOTE

The purchaser is responsible for the supply of all fixing bolts, nuts and washers etc. of adequate size and quality to ensure satisfactory fixing and water tight sealing.

DRAWING DETAILS-SUGGESTED METHODS OF FIXING

- 1 For cord and cable controls for operating type box louvres see sketch MM/N.
- 2 For box louvres mounted side by side see sketch MM/P.
- 3 For fixing box louvres into side wall cladding see sketches MM/Q/Q1 and MM/R/R1.
- 4 For fixing box louvres into brickwork and glazing see sketch MM/S.

Other fixing methods contractors may adopt must be equivalent.

McKENZIE MARTIN LTD., CANNOT BE HELD RESPONSIBLE FOR FAULTY INSTALLATION OR DAMAGE CAUSED THEREBY.

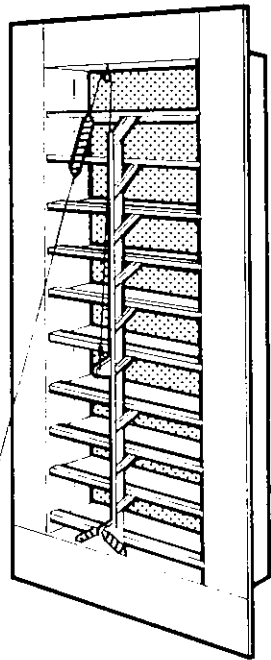
THESE FIXING INSTRUCTIONS DO NOT FORM PART OF THE COMPANY'S CONDITIONS OF SALE.

McKENZIE-MARTIN LIMITED
ETON HILL WORKS
ETON HILL ROAD
RADCLIFFE
MANCHESTER M26 2US
Telephone: 0161-723 2234
Fax: 0161-725 9531

THESE INSTRUCTIONS SUPERSEDE ALL PREVIOUS ISSUES MM/08/04

Due to the Company's policy of manufacturing to customers specific requirements the Company accepts no responsibility for any discrepancies which may occur between the equipment supplied and the descriptions in this publication.

Whilst the Company has made every effort to ensure that the information contained in these fixing instructions is accurate it cannot be held responsible for any errors or omissions arising.



PULLEY

COMPENSATOR SPRING
(on cable controlled louvres only)

CORD OR CABLE

FUSIBLE LINK
(optional)

CONTROL ARM

CLEAT HOOK
(cord only)

CLAM CLEAT CONTROL

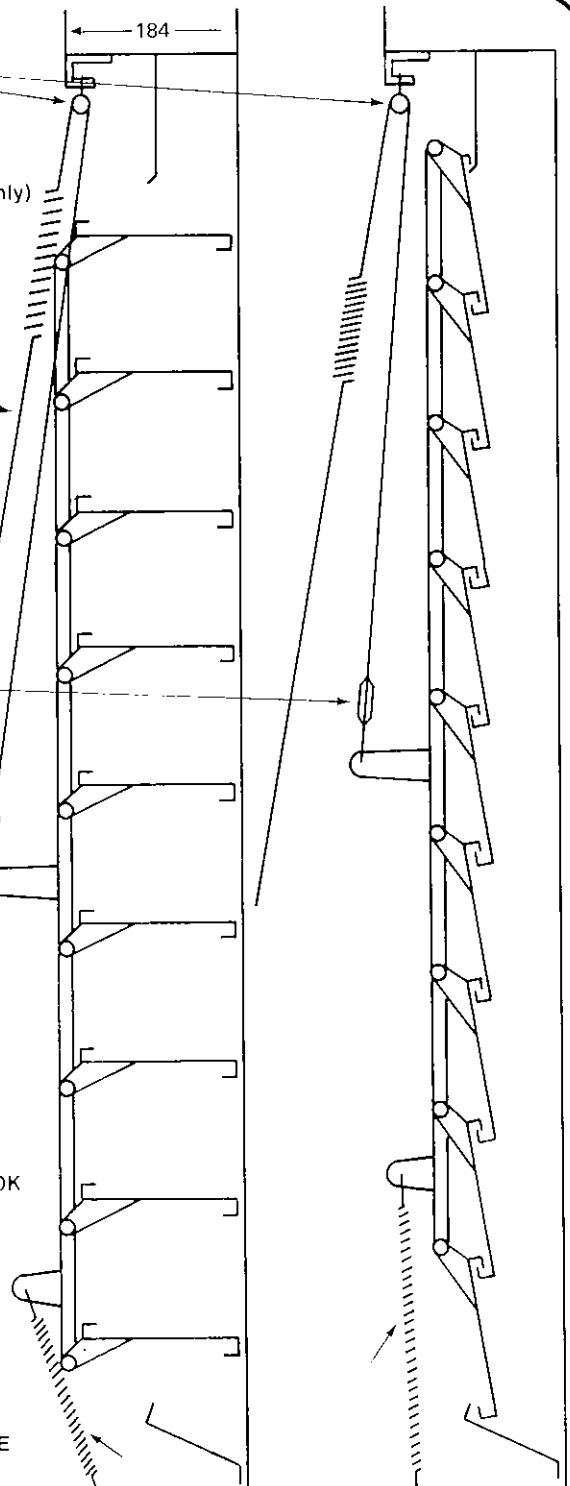
WINCH CONTROL (COMPENSATOR SPRING REQUIRED)

CLAM CLEAT/WINCH CONTROLS NORMALLY MOUNTED AT OPERATIONAL HEIGHT FOR MANUAL CONTROL, BELOW LOUVRE POSITION. HOWEVER SHOULD CIRCUMSTANCES DICTATE OTHERWISE PLEASE DO NOT HESITATE TO CONSULT THIS COMPANY FOR ALTERNATIVE RECOMMENDATIONS.



McKenzie-Martin Ltd.

ETON HILL WORKS, ETON HILL ROAD, RADCLIFFE
MANCHESTER M26 2US TEL: 0161-723 2234
FAX: 0161-725 9531

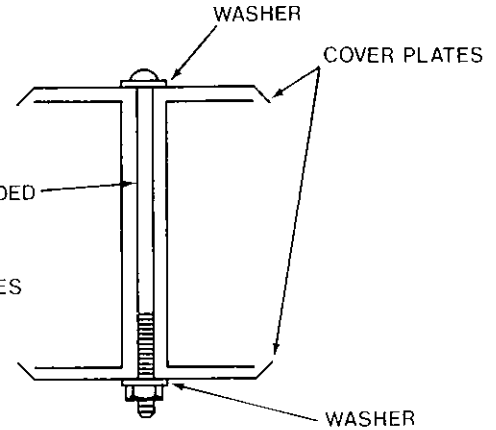
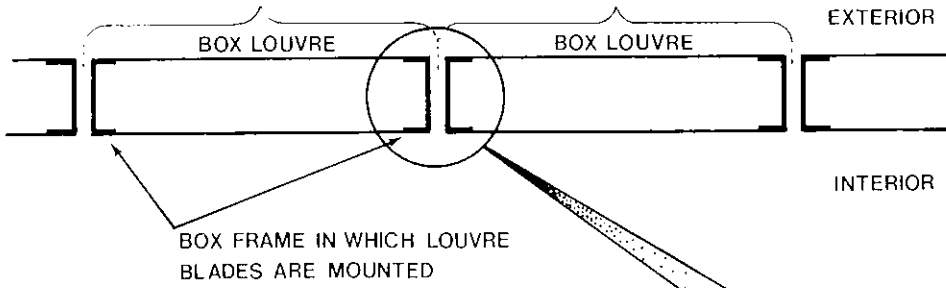


TENSION SPRINGS

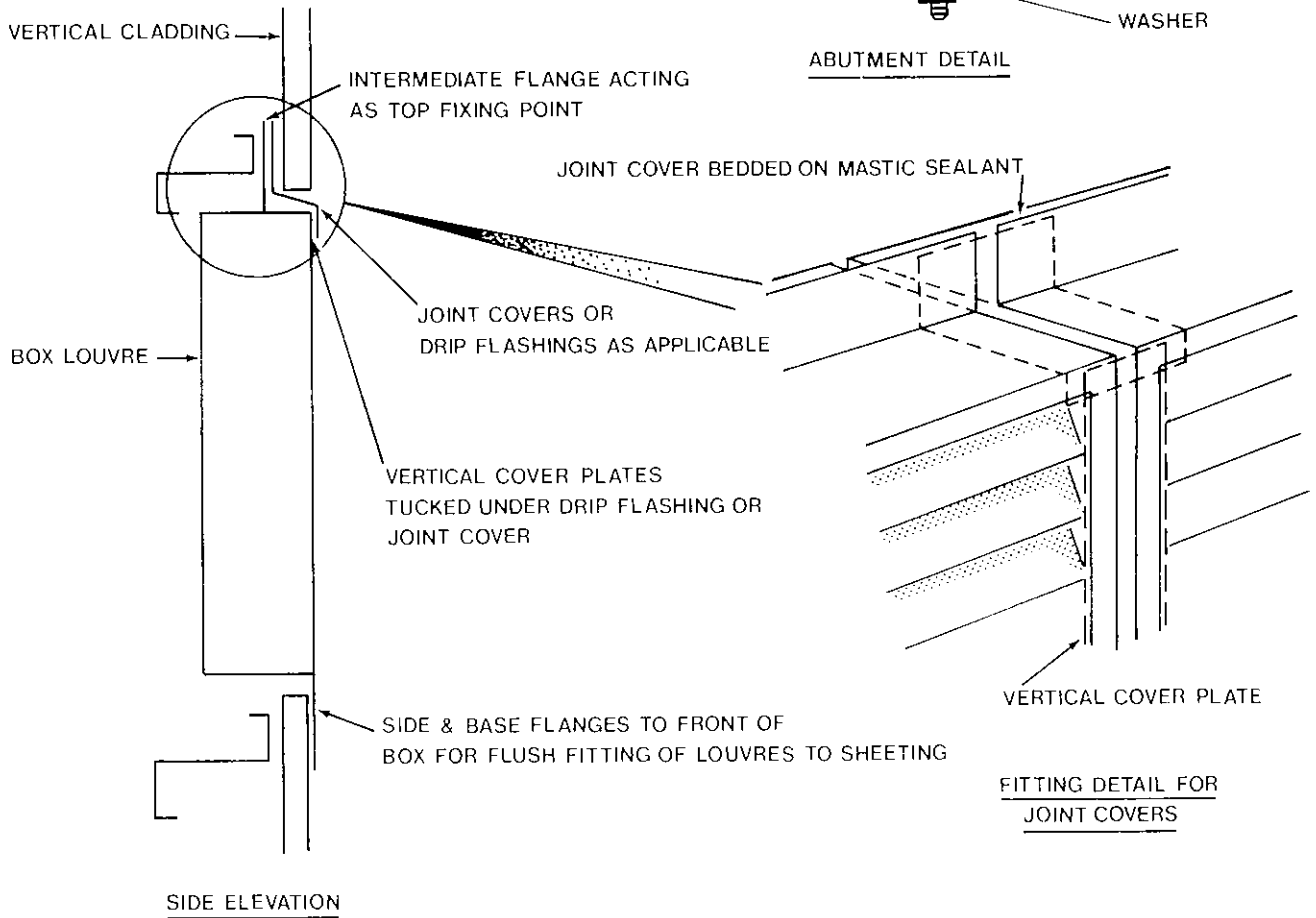
FLANGE SURROUND CAN BE POSITIONED EITHER CENTRALLY TO THE FRONT OR TO THE REAR (as shown)

CORD AND CABLE CONTROLS FOR OPERATING TYPE BOX LOUVRES

PLAN VIEW OF BOX LOUVRES



ABUTMENT DETAIL



DRAWING M M P

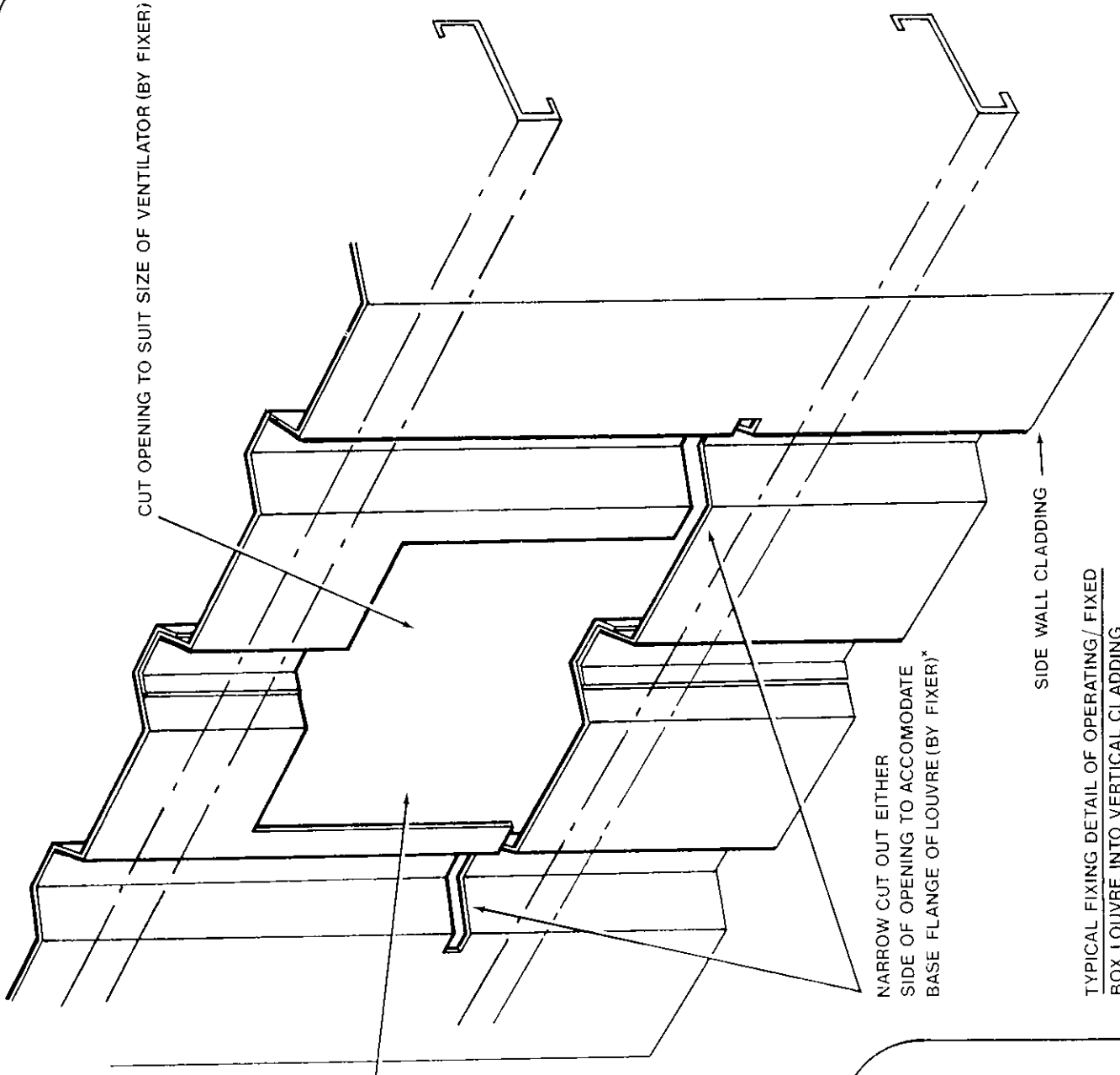
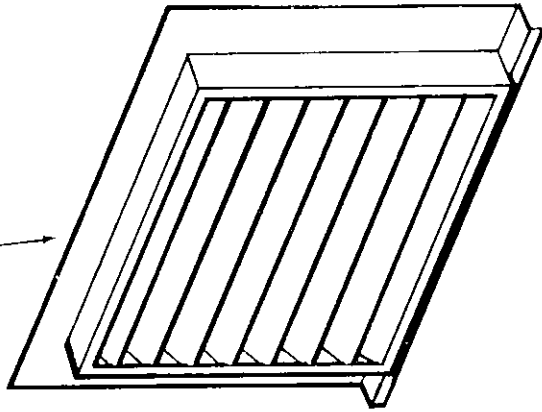


McKenzie-Martin Ltd.

ETON HILL WORKS, ETON HILL ROAD, RADCLIFFE
 MANCHESTER M26 2US TEL: 0161-723 2234
 FAX: 0161-725 9531

TYPICAL* DETAIL OF OPERATING TYPE BOX LOUVRES MOUNTED CONTIGUOUSLY
*(POSITION OF SIDE FLANGE VARIES TO SUIT PARTICULAR MOUNTING DETAIL)

FIXED/OPERATING BOX LOUVRE



CUT OPENING TO SUIT SIZE OF VENTILATOR (BY FIXER)

NARROW CUT OUT EITHER
SIDE OF OPENING TO ACCOMMODATE
BASE FLANGE OF LOUVRE (BY FIXER)*

SIDE WALL CLADDING

TYPICAL FIXING DETAIL OF OPERATING/ FIXED
BOX LOUVRE INTO VERTICAL CLADDING

* WHEN VENTILATOR IS SUPPLIED WITH INTEGRAL BASE FLANGE AS SHOWN IT IS RECOMMENDED THAT THE UNIT IS INSTALLED AS THE SHEETING PROGRESSES TO ALLOW THE BASE FLANGE TO SEAT INTO THE NARROW CUTOUTS EITHER SIDE OF THE OPENING

(NOT TO SCALE)

DRAWING M/M/Q



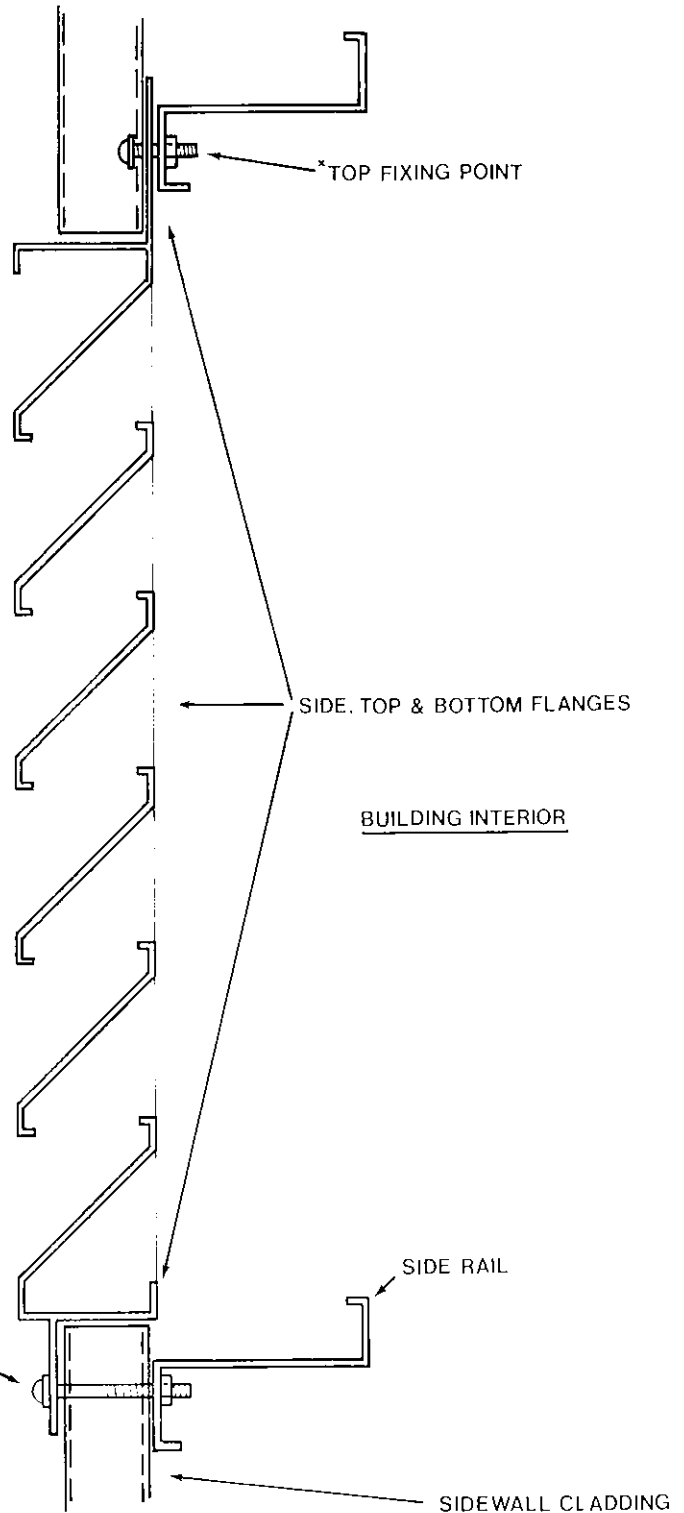
McKenzie-Martin Ltd.

ETON HILL WORKS, ETON HILL ROAD, RADCLIFFE
MANCHESTER M26 2US TEL: 0161-723 2234
FAX: 0161-725 9531

BOX DEPTH LOCATED TO EXTERIOR
OF BUILDING LINE

BUILDING EXTERIOR

BUILDING INTERIOR



*BOTTOM FIXING POINT

*WE RECOMMEND THAT THE TOP & BOTTOM FLANGES OF THE LOUVRE BE AFFIXED TO STRUCTURAL MEMBERS USING ROOFING BOLTS, NUTS AND WASHERS OR EQUIVALENT FASTENINGS. SIMILARLY THE SIDE FLANGES OF THE LOUVRE SHOULD BE STITCHED TO THE VERTICAL CLADDING. (ALL BY FIXER)

CROSS SECTION
NOT TO SCALE

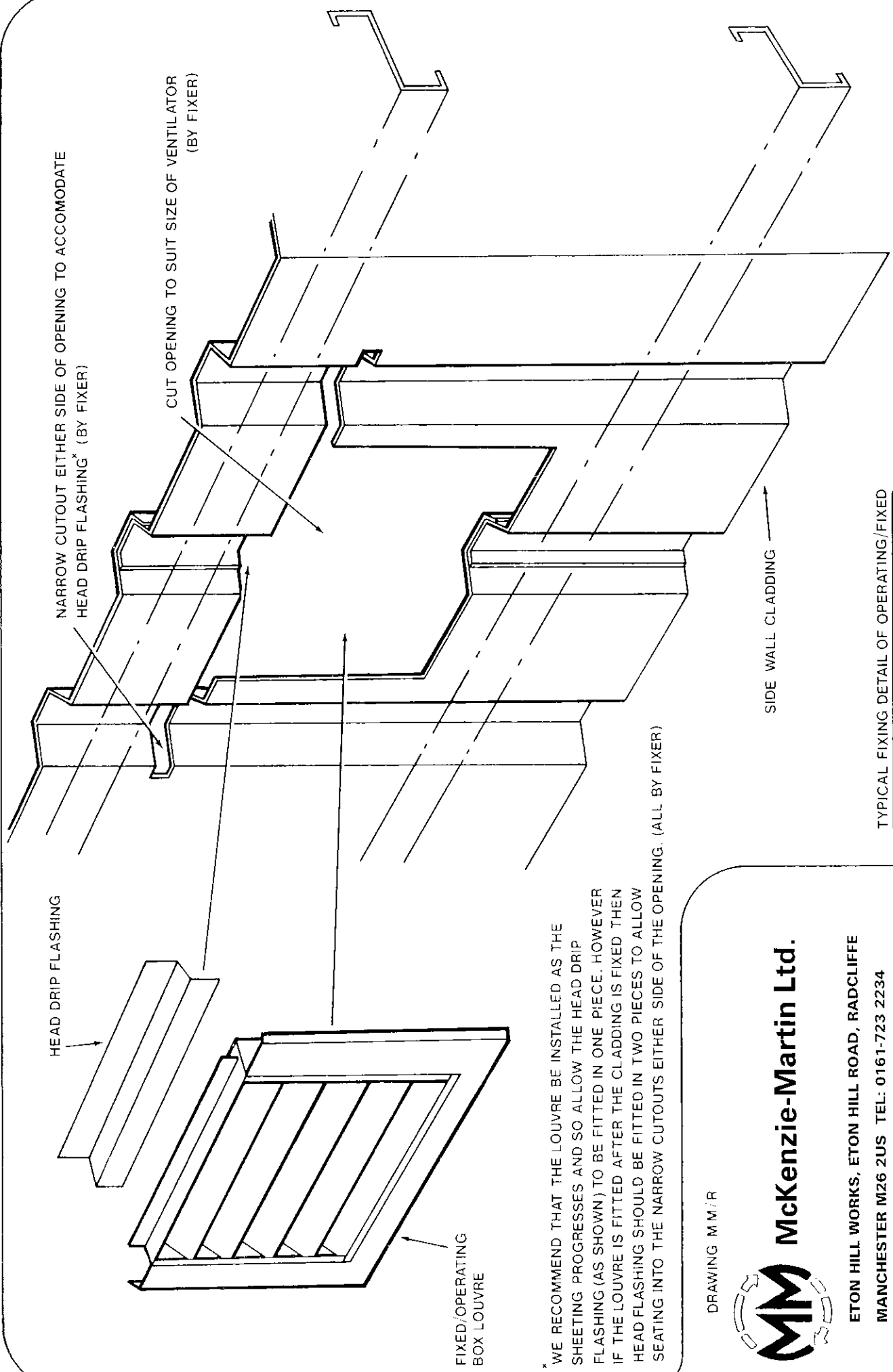
DRAWING MM/Q1



McKenzie-Martin Ltd.

ETON HILL WORKS, ETON HILL ROAD, RADCLIFFE
MANCHESTER M26 2US TEL: 0161-723 2234
FAX: 0161-725 9531

TYPICAL MOUNTING DETAIL OF FIXED/OPERATING
BOX LOUVRE INTO CLADDING.



(NOT TO SCALE)

TYPICAL FIXING DETAIL OF OPERATING/FIXED BOX LOUVRE INTO VERTICAL CLADDING

HEAD DRIP FLASHING

NARROW CUTOUT EITHER SIDE OF OPENING TO ACCOMMODATE HEAD DRIP FLASHING* (BY FIXER)

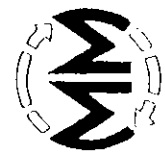
CUT OPENING TO SUIT SIZE OF VENTILATOR (BY FIXER)

SIDE WALL CLADDING

FIXED/OPERATING BOX LOUVRE

* WE RECOMMEND THAT THE LOUVRE BE INSTALLED AS THE SHEETING PROGRESSES AND SO ALLOW THE HEAD DRIP FLASHING (AS SHOWN) TO BE FITTED IN ONE PIECE. HOWEVER IF THE LOUVRE IS FITTED AFTER THE CLADDING IS FIXED THEN HEAD FLASHING SHOULD BE FITTED IN TWO PIECES TO ALLOW SEATING INTO THE NARROW CUTOUTS EITHER SIDE OF THE OPENING. (ALL BY FIXER)

DRAWING M/M/R



McKenzie-Martin Ltd.

ETON HILL WORKS, ETON HILL ROAD, RADCLIFFE
 MANCHESTER M26 2US TEL: 0161-723 2234
 FAX: 0161-725 9531

BOX DEPTH LOCATED TO INTERIOR
OF BUILDING

BUILDING EXTERIOR

SIDE, TOP & BOTTOM FLANGES

SEPARATE HEAD DRIP FLASHING/CLOSURE
(BY FIXER)

TOP FIXING FLANGE

* TOP FIXING POINT

BUILDING INTERIOR

* BOTTOM FIXING POINT

SIDE RAIL

* WE RECOMMEND THAT THE TOP AND BOTTOM
FLANGES OF THE LOUVRE BE AFFIXED TO
STRUCTURAL MEMBERS USING ROOFING BOLTS,
NUTS AND WASHERS OR EQUIVALENT FASTENINGS.
SIMILARLY THE SIDE FLANGES OF THE LOUVRE
SHOULD BE STITCHED TO THE VERTICAL CLADDING.
(ALL BY FIXER)

CROSS SECTION
NOT TO SCALE

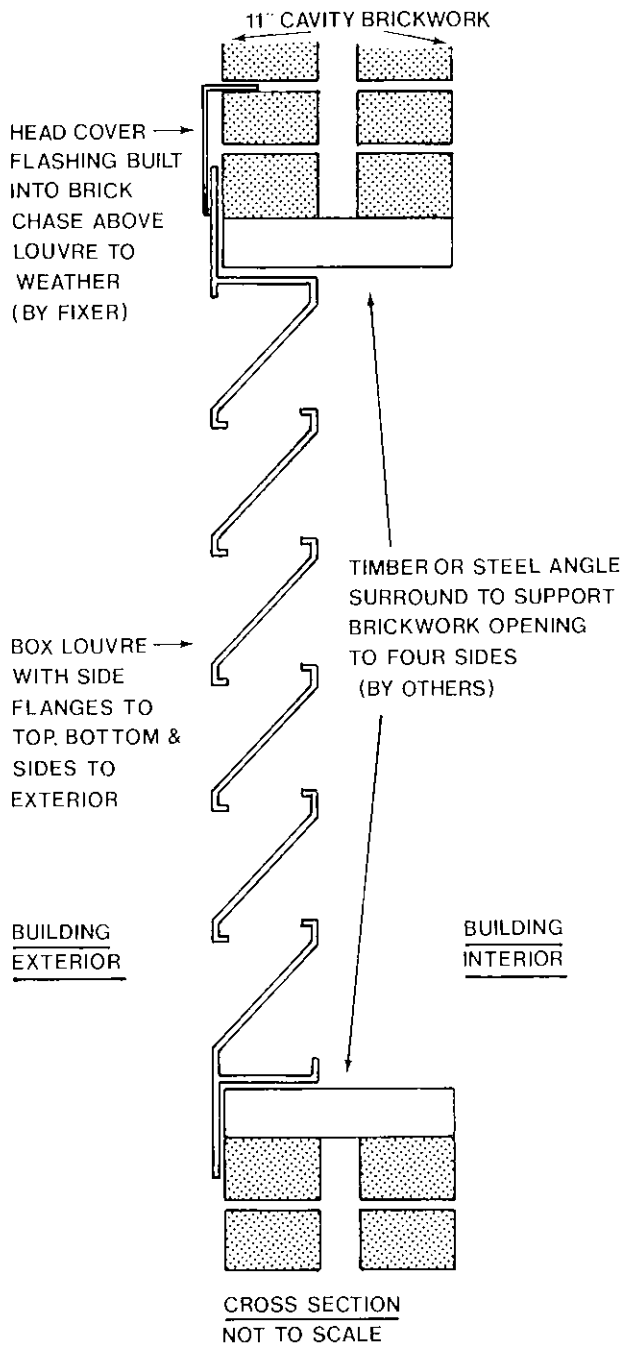
DRAWING M M/R1



McKenzie-Martin Ltd.

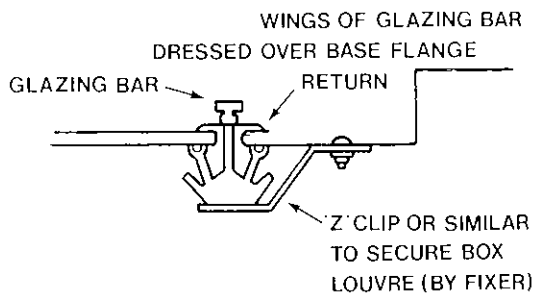
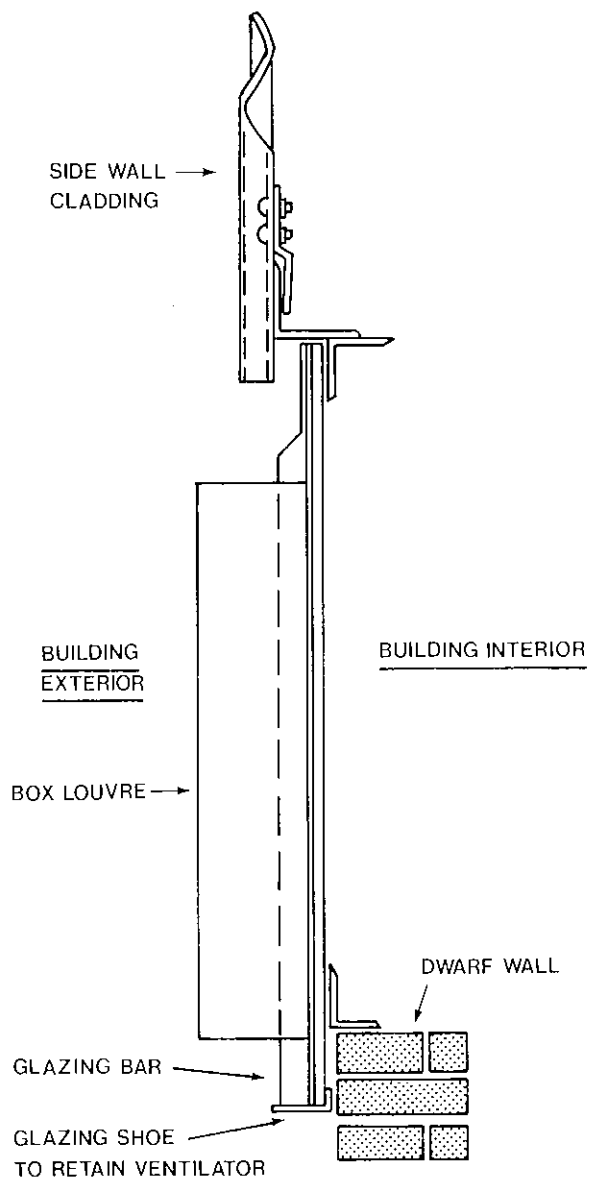
ETON HILL WORKS, ETON HILL ROAD, RADCLIFFE
MANCHESTER M26 2US TEL: 0161-723 2234
FAX: 0161-725 9531

TYPICAL MOUNTING DETAIL OF FIXED/OPERATING
TYPE BOX LOUVRE MOUNTED IN SIDEWALL
CLADDING.



CROSS SECTION
NOT TO SCALE

TYPICAL FIXING DETAIL OF OPERATING/FIXED
BOX LOUVRE INTO BRICKWORK



CROSS SECTION
NOT TO SCALE

TYPICAL FIXING DETAIL OF OPERATING/FIXED BOX
LOUVRE INTO VERTICAL GLAZING

DRAWING MM/S



McKenzie-Martin Ltd.

ETON HILL WORKS, ETON HILL ROAD, RADCLIFFE
MANCHESTER M26 2US TEL: 0161-723 2234
FAX: 0161-725 9531



Details required for manufacture

of
**FIXED AND
ADJUSTABLE LOUVRES**

DRAWING REF: DM/L

McKenzie-Martin Ltd.

ETON HILL WORKS, ETON HILL ROAD, RADCLIFFE, MANCHESTER M26 2US. TEL: 0161-723 2234 FAX: 0161-725 9531

LOUVRES INTO SIDEWALL CLADDING - Details required for manufacture.

OVERALL DEPTH INC LINING ?
.....

IF HEAD CILL FLASHING IS REQUIRED
PLEASE CONSULT THIS OFFICE *(SEE OVERLEAF)

ACTUAL BOX HEIGHT IS
CALCULATED FROM RAIL CENTRES
UNLESS OTHERWISE INDICATED ?
.....

BOX WIDTH TO YOUR REQUIREMENT ?
.....

TYPE OF CLADDING (manufacture & material) ?
.....

SIZE AND TYPE OF SHEETING RAIL ?
.....

RAIL CENTRES ?

HEIGHT FROM FLOOR LEVEL ?
.....

LOUVRES INTO BRICK or CONCRETE WALLS - Details required for manufacture.

ACTUAL OPENING HEIGHT & WIDTH TO
ACCEPT LOUVRE VENTILATOR ?
.....

HEIGHT FROM FLOOR LEVEL ?
.....

LINTOL

IF SOFTWOOD TRIMMERS ARE USED THEN
PLEASE GIVE DETAILS OF ANY SPECIAL
TOLERANCES REQUIRED ?
.....

OVERALL WIDTH ?

LOUVRES INTO GLAZING - Details required for manufacture.

OVERSAIL OF CLADDING
OVER GLAZING BAR ?
.....

HEIGHT/LENGTH OF GLAZING BAR
AND/OR GLASS LENGTH ?
(as applicable)

CENTRES OF GLAZING BARS AND
GLASS WIDTH ?

TYPE OF CLADDING (manufacture & material)
AND OVERALL DEPTH ?
(if applicable)

SIZE AND TYPE
OF GLAZING BAR ?
.....

GLAZING RAIL CENTRES AND/OR
CLEARANCE BETWEEN PURLINS
(as applicable) ?

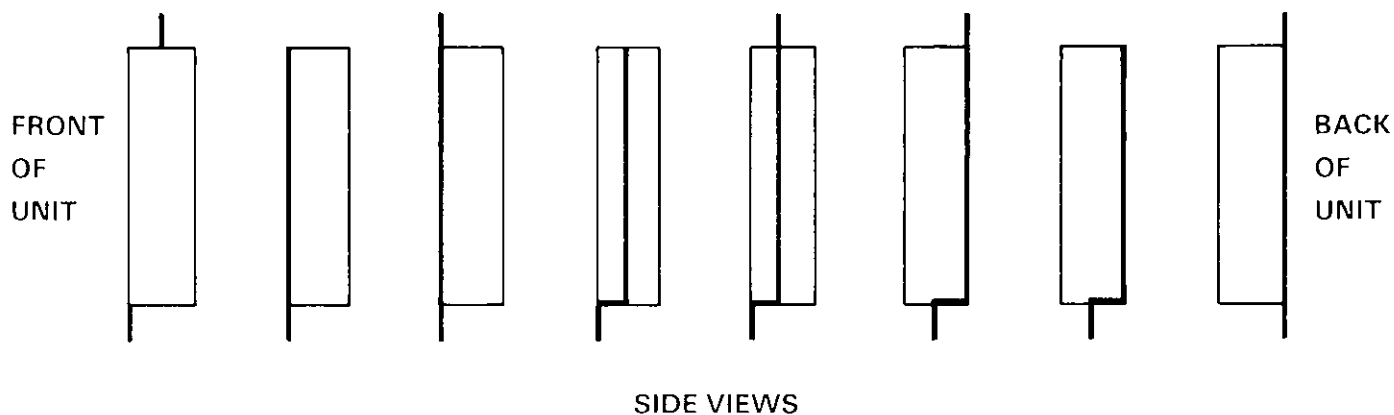
HEIGHT FROM FLOOR LEVEL ?
.....

Please complete the following if applicable:-

(It may be useful to refer to our recommended fixing instructions for guidance)

- (1) If flanges are required, is the box depth of the louvre to be located internally or externally in relation to the building line i.e. are the louvre flanges to be located to the front, intermediate or rear of box depth? Below are some typical alternatives which may be of assistance.

TYPICAL FLANGE DETAILS



- (2) If you have any alternative or special flange requirements, please sketch your details overleaf.
- (3) If the unit incorporates either Bird Guards, Security Mesh or Fly Mesh are they to be fitted internally or externally?

CONTROL DETAILS

- (4) If fusible links are fitted to operating louvres, are they to be set to open or close the units when activated in the event of a fire?